

LW series

- Load life:85°C 10000 hours Screw terminal type.
- Suitable for use in industrial equipment industrial power,solar pv inverter, wind power, Marine, heavy trucks, and other fields
- RoHS Compliance
- 85°C 10000小時 螺栓型端子。
- 適用於工業設備工控電源，太陽能光伏逆變器，風力發電，船舶，重型卡車等領域。



SPECIFICATIONS

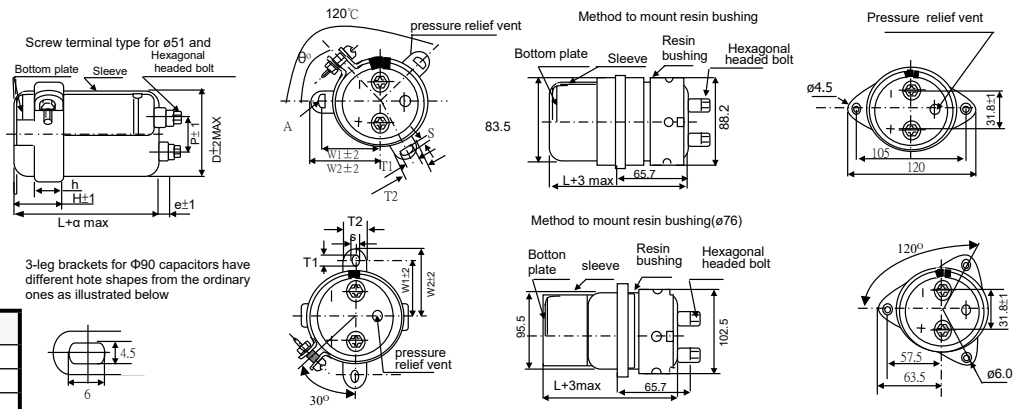
Items 項目	Characteristics 特性			
Capacitance Tolerance 靜電容量誤差	± 20%(120Hz,20°C)			
Operating Temperature Range 適用溫度範圍	- 25 ~ +85°C			
Rated Voltage Range 額定電壓範圍	350 ~ 450VDC			
Rated Capacitance Range 容量範圍	220~15,000uF(For higher capacity, please consult the designer)			
Leakage Current 洩漏電流	$I \leq 0.02CV$ (μA) or 5mA, whichever is smaller.(After 5 minutes application of DC rated voltage, at 20 °C)			
Dissipation Factor 散逸因素($\tan \delta$)	Measurement Frequency: 120Hz. Temperature: 20°C			
	Rated Voltage(V)	350	400	450
	$\tan \delta$ (MAX)	0.15	0.15	0.15
Temperature Stability 溫度特性	Measurement Frequency: 120Hz.			
	Capacitance Change $C(-25^{\circ}C)/Z(20^{\circ}C) \geq 0.6$			
Load Life 負荷壽命	The following specifications shall be satisfied when the capacitors are restored to 20°C after subjected to DC voltage with the rated ripple current is applied for 10,000 hours at 85°C.			
	Capacitance Change	Within ± 20% of Initial Value		
	$\tan \delta$	200% or less of Initial Specified Value		
	Leakage Current	Initial Specified Value or less		
Shelf Life 放置壽命	The following specifications shall be satisfied when the capacitors are restored to 20°C after exposing them for 500 hours 85°C without voltage applied. Before the measurement, the capacitor shall be preconditioned by applying voltage according to them 4.1 of JIS C5101-4.			
	Capacitance Change	Within ± 20% of Initial Value		
	$\tan \delta$	200% or less of Initial Specified Value		
	Leakage Current	Initial Specified Value or less		
Standards 參照標準	IEC 60384-4(JIS C 5101-4)			

Frequency Coefficient of Permissible Ripple Current

Rated Voltage (V)	Frequency (Hz)				
	50	120	300	1K	$\geq 10K$
350 ~ 450	0.80	1.00	1.20	1.30	1.40

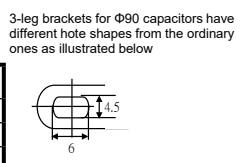
LW series

DIMENSIONS(mm)



TERMINAL PITCH(W) & LENGTH (e) TABLE

ΦD	P	e	α
51	22	6	3
64	28.6	6	3
76	31.8	6	3
90	31.8	6	3
100	41.5	10	4



DIMENSIONS OF MOUNTING BRACKET

unit:mm

Cap (μF)	Leg shape ΦD	3-Legs					2-Legs			
		Φ51	Φ64	Φ76	Φ90	Φ100	Φ51	Φ64	Φ76	Φ90
	W1	31.8	38.1	44.5	50.8	57.5	34	40.5	46.5	54
	W2	38.1	42.6	49.2	55.6	63.5	40	46.5	53	60
	T1	7	7	7	7	8	7	7	7	7
	T2	14	14	14	14	15	14	14	14	14
	S	5	5	5	5	6	5	5	5	5
	θ°	60	60	60	60	60	45	45	45	45
	H	30	30	30	30	51.2	30	30	30	30
	h	24	24	24	24	50	24	24	24	24

STANDARD RATINGS

D×L(mm) ; R.C.(A rms) at 85°C 120Hz

Cap (μF)	V	350		400		450		500	
		Item	D x L	R.C.	D x L	R.C.	D x L	R.C.	D x L
1500								51x120	7.10
1500								51x130	7.40
1800								64x95	7.90
2200						64x95	8.70	64x105	9.10
								64x120	9.50
2700				51x120	9.50	51x120	9.50	64x130	10.9
				64x95	9.70	64x105	10.1	64x145	11.3
2900								76x95	10.5
						51x130	10.3		
3300		51x120	10.6	51x130	11.0	64x120	11.6	76x105	12.1
		51x130	11.0	64x105	11.2			76x120	12.6
		64x95	10.7						
3900		64x105	12.2	64x120	12.6	64x130	13.1	90x95	13.9
		64x120	12.6	64x130	13.1	76x95	12.7	90x105	14.5
				76x95	12.7				
4700		64x130	14.4	64x145	14.9	64x145	14.9	76x145	16.2
		76x95	13.9	76x105	14.5	76x105	14.5	90x120	16.5
		64x145	16.3	76x120	16.4	76x120	16.4	76x185	19.3
5600		73x105	15.8	90x95	16.6	90x95	16.6		
6800		76x120	18.1	76x145	19.4	76x145	19.4	90x145	21.2
		90x95	18.3	90x105	19.1	90x105	19.1	90x155	21.9
						90x120	19.8		
8200		76x145	21.3			76x180	23.3	76x220	25.2
		90x105	21.0	90x120	21.8			90x190	26.7
		90x120	21.8						
10000				76x180	25.8	90x145	25.7	90x220	33.1
				90x145	25.7	90x155	26.5		
12000		76x180	28.2	76x220	30.4	76x220	30.4		
		90x145	28.2	90x155	29.0	90x190	31.3		
		90x155	29.0						
15000		76x220	34.0	90x190	35.0	90x220	37.0		
		90x190	35.0						
18000		90x220	41.1	90x220	40.6				

LW